










THE NEW RAISE3D SERIES

Pro2 / Pro2 Plus

Industrial grade printer ready for short-run manufacturing.
Able to integrate a print factory.

-  Dual Extruder: Electronic driven lifting; 4× Increased torque performance
-  Massive Build Volume
-  Filament Sensor / Camera / Filter
-  24×7 Production Capability
-  Resume Print after Power Outage
-  0.01mm Resolution
-  Diverse Filament Compatibility (300°C)
-  7" Touch Screen
-  Wireless Compatibility



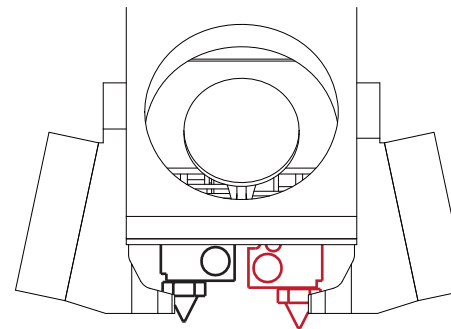
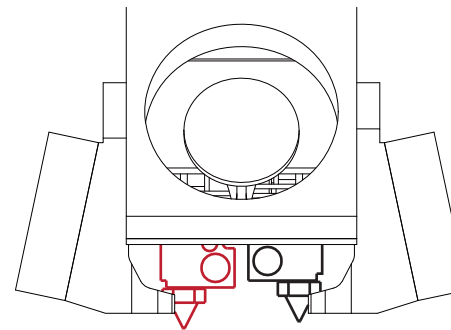
Pro2

Pro2 Plus

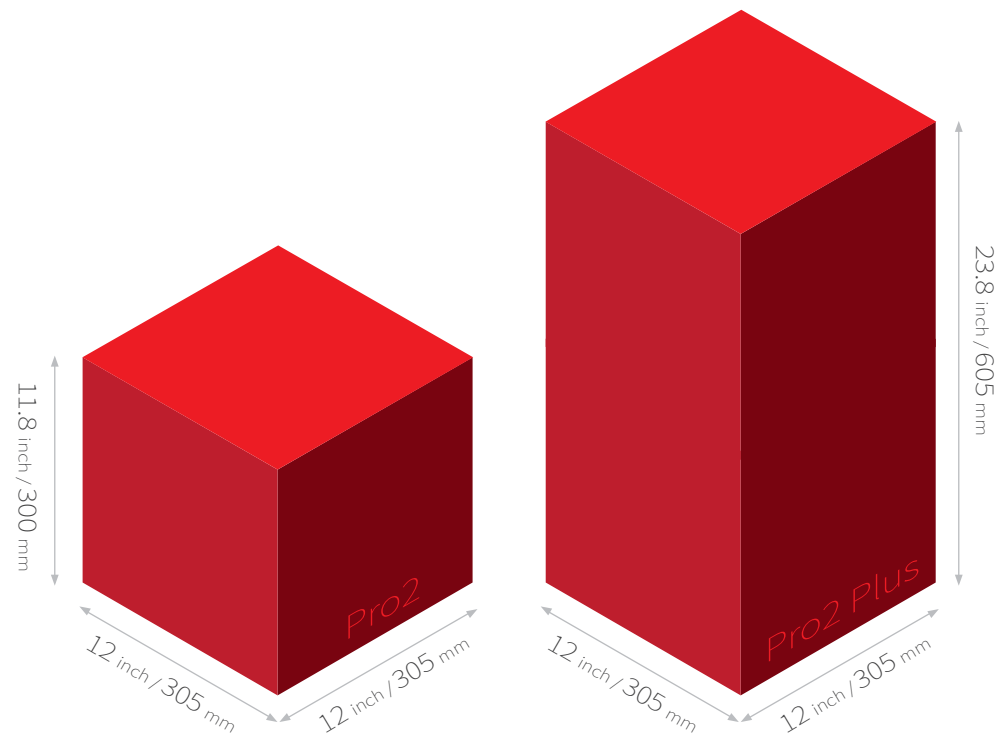


ELECTRONIC DRIVEN LIFTING DUAL EXTRUSION

Prints the most intricate projects.
Expedites works.
Multi-material prints.



- High repeatability. (<math><0.005\text{m}</math>, 5micron).
- Light speed, <math><1</math> second switching time.
- 1.5mm lifting distance, compatible with flexible filaments.
- Over 100,000 times reliability test passed.



When Big Is Not Big Enough

Up To

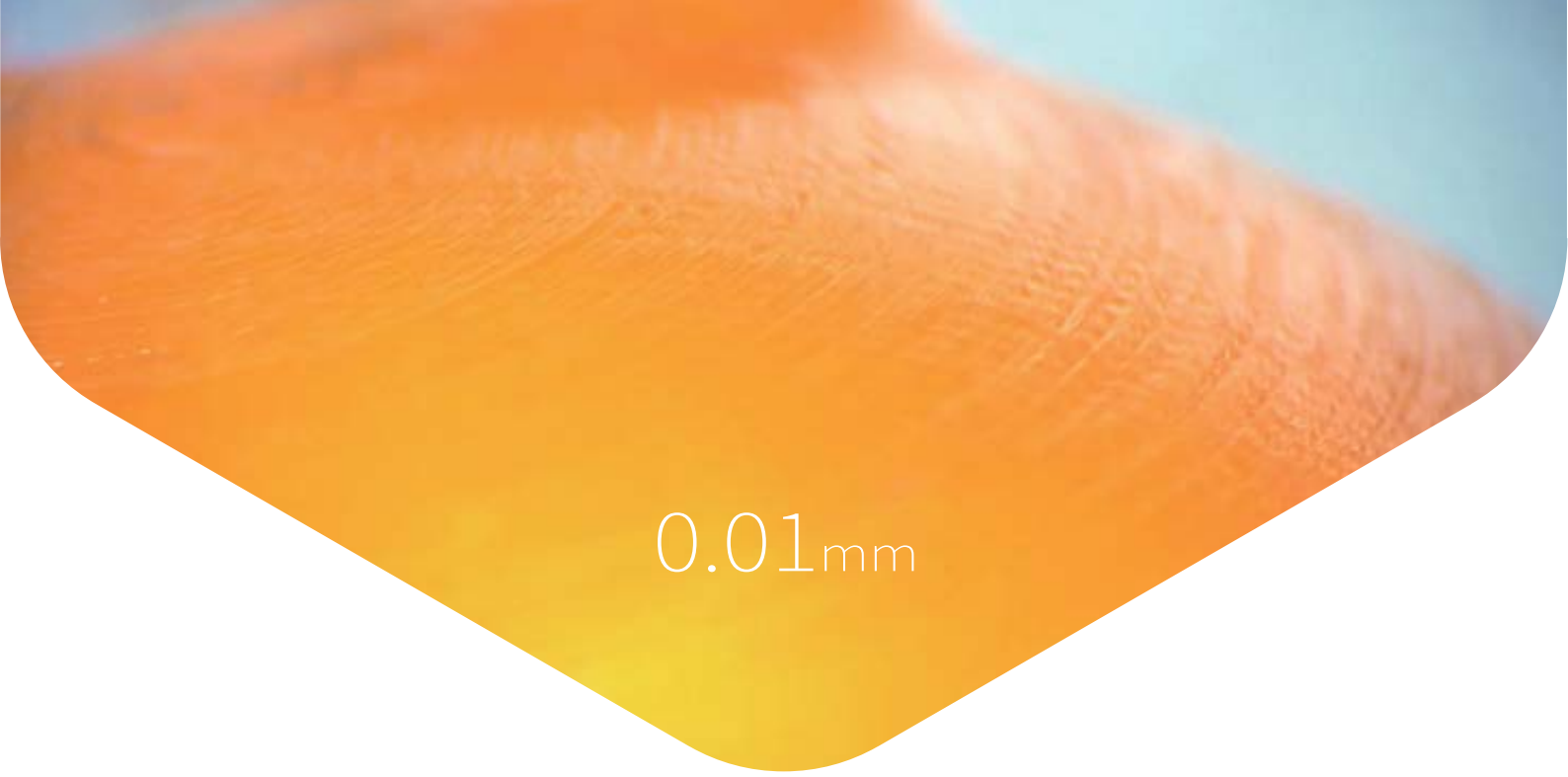
12×12×23.8 inch
305×305×605 mm

24/7 Reliability by High-Strength Aluminum Frame

AS HOT AS 300°C
 FOR MATERIAL COMPATIBILITY

PLA	ABS	HIPS
PC	TPU	NYLON
TPE	FLEX	PETG
BRONZE-FILLED		
WOOD-FILLED		
CARBON FIBER ENFORCED		





0.01mm

HIGH RESOLUTION

Unique motion system for superior part quality and resolution



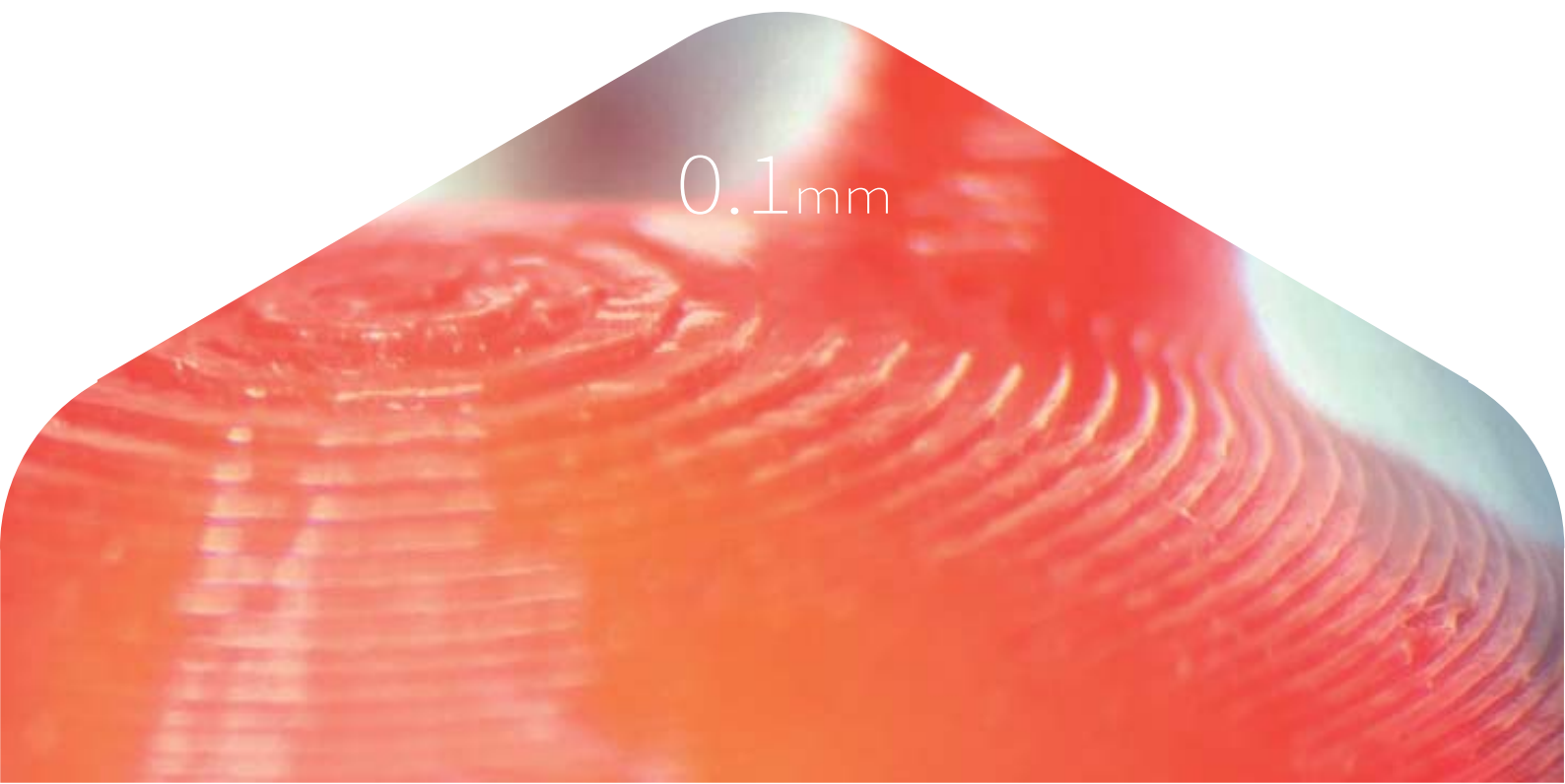
Unmatched layer resolution
0.01mm layer thickness



Interchangeable nozzle
0.2mm nozzle for finer X/Y spot size



Precise positioning
0.0125mm positioning resolution
on X/Y axis



0.1mm

SINGULAR USER EXPERIENCE

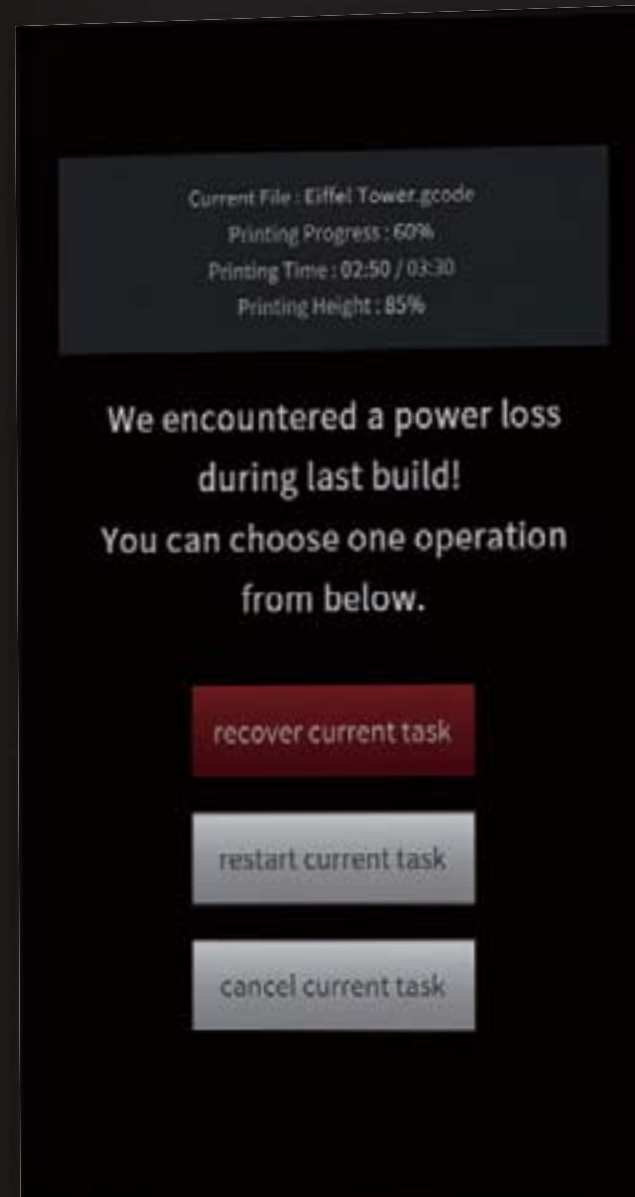
7-inch touch screen.

· Visual interface · Rapid reviewing · Visual print progress · Full adjustment control



SECOND GENERATION POWER LOSS RESUMING

Never lose a print.



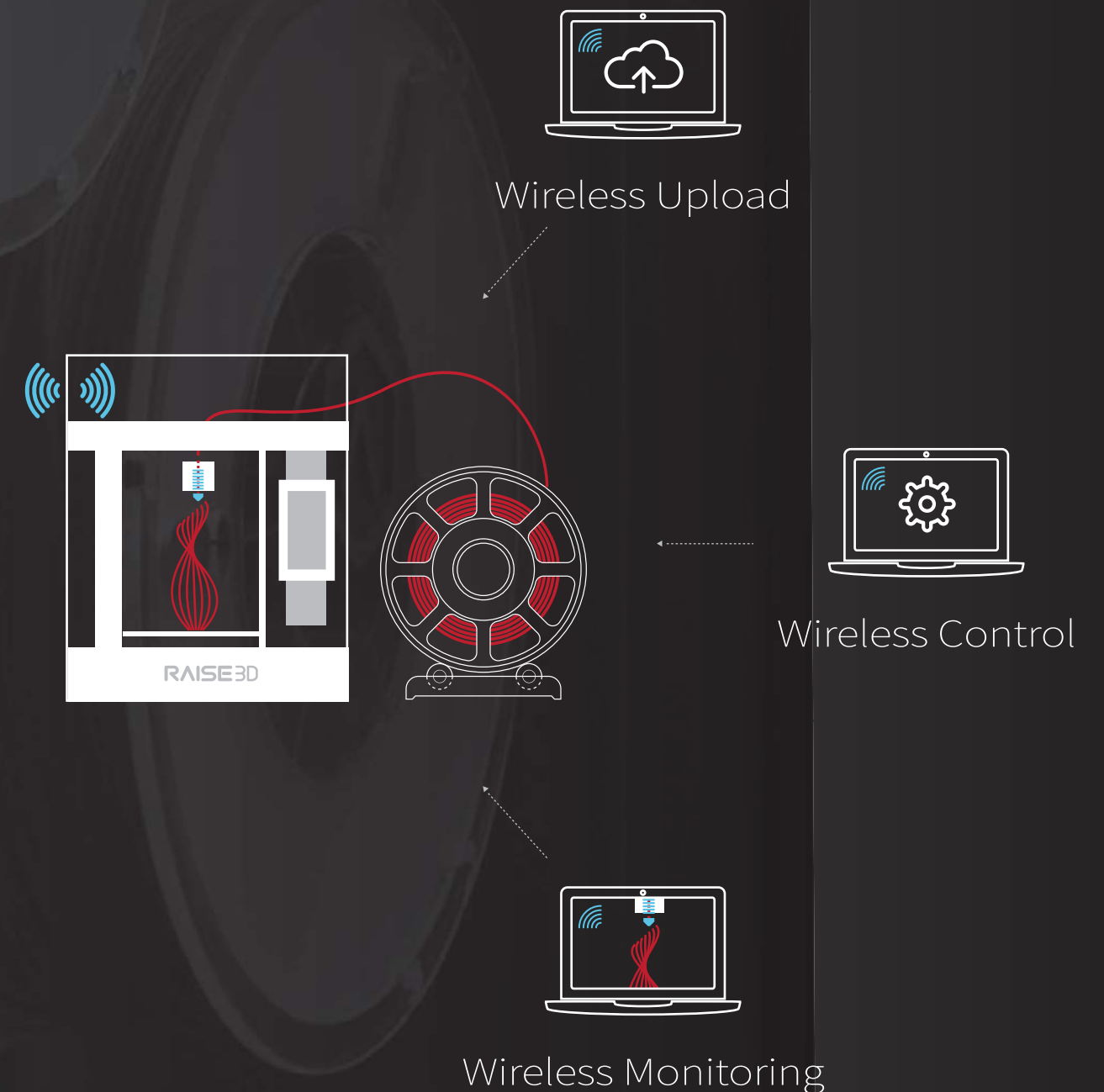
“I actually knocked off the power accidentally when i hit the cord when I was vacuuming, I was currently doing a 96 hours print with only 2 hrs left.

As I raised my head to scream in terror, I turned back on the machine and it asked me to continue print...THIS WAS A LIFESAVER!”

----- By Shon Robinson

WIRELESS PRINTING AND CONTROL

Operate efficiently with ideaMaker by connecting wirelessly to your Pro Series Printer.



NEXT GENERATION MOTION CONTROLLER



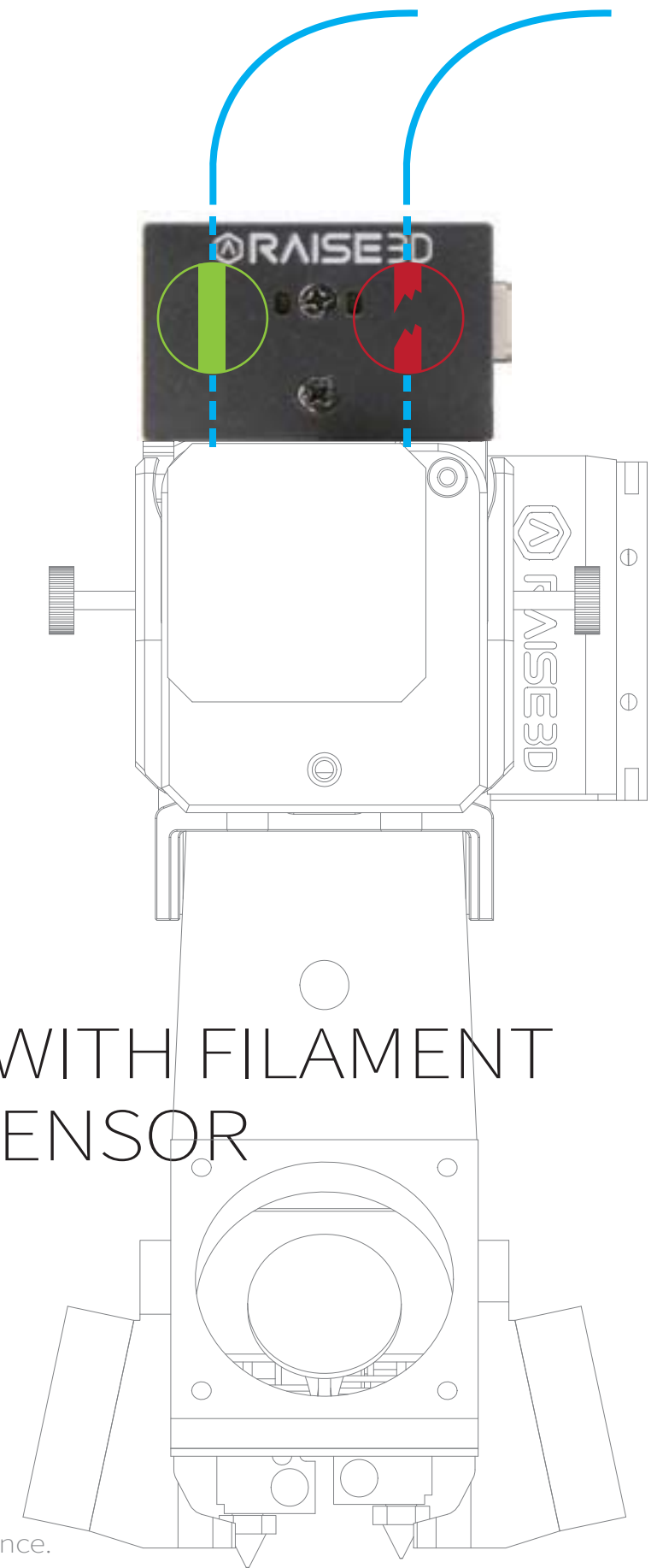
Top reliability.
Accurate current control.
Silky smooth movement.
Superior thermal performance.

- 400MHz ARM Cortex-M7 32bit RISC FPU.
- Industrial grade components.
- Standalone motor driver.
- 256 micro-steps driver system.

NEW EXTRUDER WITH FILAMENT RUN-OUT SENSOR

Better grip.
No slipping.
Safer prints.

- Dual gear driven.
- 4× Increased torque performance.
- Fluent and sensitive, optical run-out sensor.





NEW AIR FILTER

Environmentally friendly.
Silently protecting our health.

- Absorbs >91% of particles.

NEW BUILD PLATE SYSTEM

Excellent warping prevention.
Even heat distribution.
Longer lifetime.
Steady and simple to use.

- Aerospace grade material.
- High temperature silicone heating bed.
- Magnetic hold aluminium bed.
- Improved 4+9 points lock system.



MORE FEATURES

- Built-in camera.
- Improved nozzle.
- Improved factory calibration.
- High quality optical end stops.
- Improved hotend isolation software controllable stand-alone active cooling fan.



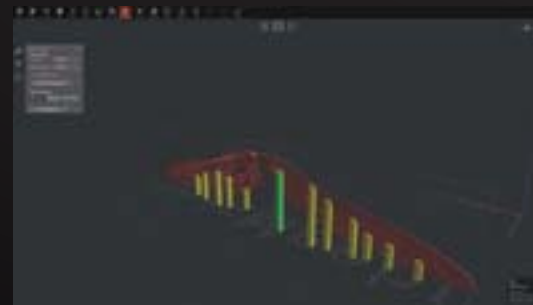
ITEM	Pro2	Pro2 Plus		
CONSTRUCTION	Build Volume (W×D×H)			
	Single	Dual	Single	Dual
	12×12×11.8 inch 305×305×300 mm	* 11×12×11.8 inch 280×305×300 mm	12×12×23.8 inch 305×305×605 mm	* 11×12×23.8 inch 280×305×605 mm
	Machine Size (W×D×H)			
	24.4×23.2×29.9 inch 620×590×760 mm		24.4×23.2×43.5 inch 620×590×1105 mm	
ELECTRICAL	Power Supply Input Power Supply Output	Universal 100-240 VAC, 50/60 Hz 600 Watts, 24 VDC		
PRINTER	Print Technology Print Head Filament Diameter XYZ Step Size Print Head Travel Speed Build Plate Max Build Plate Temperature Build Plate Material Build Plate Leveling Supported Materials Nozzle Diameter Max Nozzle Temperature Operating Sound Connectivity Monitoring	FFF Dual-head with electronic lifting system 1.75mm 0.78125, 0.78125, 0.078125 micron 30 - 150 mm/s Heated aluminum build plate with magnetic holding 110 °C Silicone Pre-calibrated leveling PLA / ABS / HIPS / PC / TPU / NYLON / TPE / FLEX / PETG / Bronze-Filled / Wood-Filled / Carbon Fiber Enforced 0.2/ 0.4/ 0.6/ 0.8mm 300 °C 50 dB Wi-Fi, LAN, USB port Live camera		
SOFTWARE	Slicing Software Supported File Types Supported OS Machine Code Type	ideaMaker STL, OBJ WINDOWS/ IOS/ LINUX GCODE		
PRINTER CONTROLLER	User Interface Network Resume Print after Power Outage Screen Resolution Motion Controller Logic Controller Memory Onboard Flash OS Ports	7 inch Touch Screen Ethernet 802.11b/g/n Wifi 2.4GHz/5GHz Second Generation 1024*600 ATM Cortex M7.400MHZ FPU Freescale imx6, Quad core 1Ghz ARM processor 1GB 8GB Embedded Linux Sdcard*1, Usb2.0*2, Ethernet*1		

* : When you are printing with dual Material.

IDEAMAKER POWERFUL SLICING SOFTWARE



Model Repairing



Customizable manual support



Remote management



Multi-thread slicing engine (64 bit)

Speed

- Rapid and Efficient.
- Native-compiled, multi-threaded, 64-bit.

Repair

- Automated part separation for Multi-Part prints.
- Repair and optimize unprintable files.
- Cut models at any axis or angle.

Support

- Automatically generated supports.
- Manual support and editing features.

Optimized Interface

- Create and manage profiles to easily switch between settings.
- Cross section viewing.
- Auto-layout for multi-part printing.
- User friendly UI.
- Print in only 4 clicks.

Compatibility

- Compatible with most FFF 3D Printers
- Input OBJ/STL, Outputs GCODE
- Available in English, French, German, Russian, Japanese, Chinese, and more.

